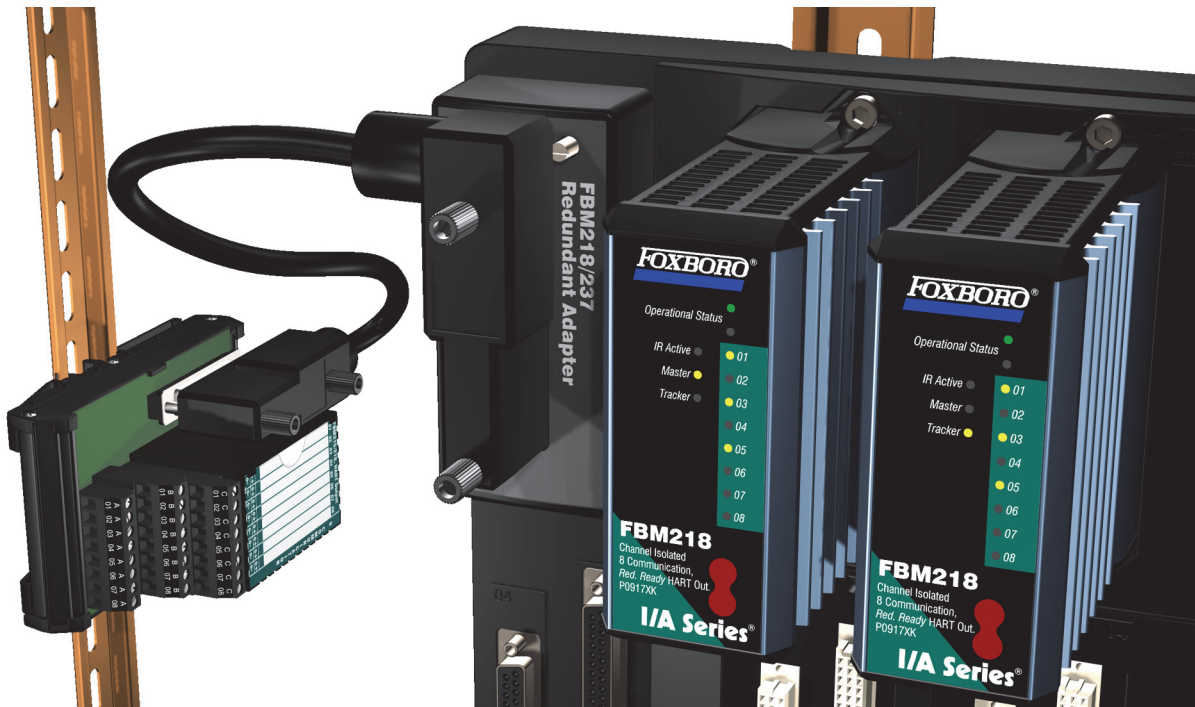


FBM218 HART® Communication Redundant Output Interface Module



The FBM218 offers redundant modules for eight output channels, each providing a 4 to 20mA output signal or a digital HART® signal superimposed on a 4 to 20 mA analog output signal.

FEATURES

Key features of the FBM218 module are:

- ▶ Eight channel-isolated output channels, each providing one of the following outputs:
 - Standard 4 to 20 mA analog output signal
 - Digital HART Frequency Shift Keying (FSK) signal superimposed on a 4 to 20 mA analog output signal.
- ▶ Module pair offers redundancy at the FBM level
- ▶ FSK modem dedicated to each output channel for bi-directional digital communications with a HART field device
- ▶ Support for HART universal commands necessary to interface the field device with the I/A Series® system database
- ▶ Galvanic isolation of all output channels from each other, and from ground and module logic
- ▶ Compact, rugged design suitable for enclosure in Class G3 (harsh) environments
- ▶ Termination Assemblies (TAs) for locally or remotely connecting field wiring to the FBM218.

OVERVIEW

The HART Communication Redundant Output Interface Module (FBM218) contains eight channel-isolated output channels. The FBM218 supports any mix of standard 4 to 20 mA devices and HART devices.

A pair of the modules combines to provide redundancy at the Fieldbus Module (FBM) level, with field outputs wired to one common termination assembly (see Figure 1). In this configuration, one FBM218 is the Master, and the other is the Tracker.

The FBM218 serves as a HART communications field device host, enabling the I/A Series system to request and receive two digital messages per second from each field device.

The message pass-through capability can be used to support HART universal, common practice, and device-specific commands, but not the burst communication mode. These commands are implemented using the Intelligent Field Device Configurator (IFDC — refer to PSS 21S-8A2 B3 for details).

The module provides an isolated power supply for each channel.

COMPACT DESIGN

The FBM218 has a compact design, with a rugged extruded aluminum exterior for physical protection of the circuits. Enclosures specially designed for mounting the FBMs provide various levels of environmental protection, up to harsh environments per ISA Standard S71.04.

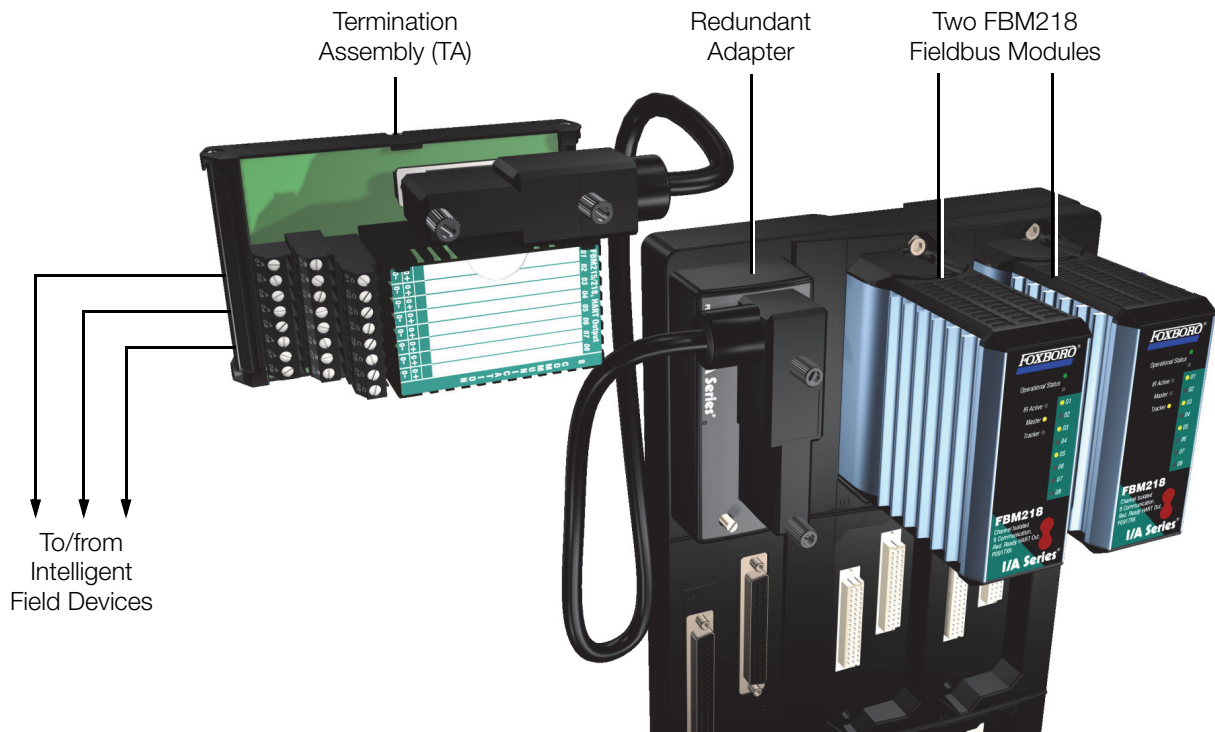


Figure 1. Redundant Module Configuration

REDUNDANT ANALOG OUTPUTS

If a failure is detected in one of the modules, its output is driven to 0 mA and the corresponding channel in the good module automatically continues supplying the proper current to the output current loop.

Each output channel drives an external load and produces a 0 to 20 mA output. Outputs are combined in series through the redundant adapter. The microprocessor of each module executes the analog I/O application program, plus security routines that validate the health of the FBM.

Configurable options in the modules for output security include Fail-Safe Action (Hold/Fallback), Analog Output Fail-Safe Fallback Data (on a per channel basis), Fieldbus Fail-Safe Enable, and Fieldbus Fail-Safe Delay Time. The Analog Output Fail-Safe Fallback Data option must be set for 0 mA output. This removes one of the pair of redundant output channels from service for detectable problems such as a module not properly receiving output writes or not passing security tests on FBM microprocessor writes to output registers. Setting of the Analog Output Fail-Safe Fallback Data option for 0 mA output also minimizes the possibility of a “fail high” result.

VISUAL INDICATORS

Light-emitting diodes (LEDs) incorporated into the front of the module provide visual indication of the module's operational status, and communication activity of the channels. Two additional LEDs provide the master or tracker status of the modules.

EASY REMOVAL/REPLACEMENT

The module can be removed/replaced without removing field device termination cabling, power, or communications cabling.

FIELDBUS COMMUNICATION

A Fieldbus Communication Module or a Control Processor interfaces the redundant 2 Mbps module Fieldbus used by the FBMs. The FBM218 module accepts communication from either path (A or B) of the redundant 2 Mbps fieldbus – should one path fail or be switched at the system level, the module continues communication over the active path.

MODULAR BASEPLATE MOUNTING

The module mounts on a modular baseplate, which accommodates up to four or eight FBMs. The modular baseplate is either DIN rail mounted or rack mounted, and includes signal connectors for redundant fieldbus, redundant independent dc power, and termination cables.

Redundant modules must be located in adjacent positions on the baseplate (positions 1 and 2, 3 and 4, 5 and 6, or 7 and 8). To achieve redundancy, a redundant adapter module is placed on the two adjacent baseplate termination cable connectors to provide a single termination cable connection (see Figure 1). A single termination cable connects from the redundant adapter to the associated termination assembly (TA).

TERMINATION ASSEMBLIES

Field output signals connect to the FBM subsystem via DIN rail mounted TAs. The TAs used with the FBM218 are described in “TERMINATION ASSEMBLIES AND CABLES” on page 8.

FUNCTIONAL SPECIFICATIONS

Field Device Channels

SUPPORTED HART INSTRUMENT TYPES

HART instruments compliant to Version 5, 6, or 7 of the HART specifications may be used

INTERFACE

8 isolated output channels

COMMUNICATIONS TO THE DEVICE

Point-to-point, master/slave, asynchronous, half-duplex, at 1200 baud.

ERROR CHECKING

Parity on each byte, and 32-bit CRC error checking on each message

SPEED

2 messages per second

FASTEST ALLOWED ECB BLOCK PERIOD

100 msec - However, it is recommended that you refer to the *Sizing Guidelines and Excel Workbook* appropriate for your Control Processor to determine the optimal loading for a 100 msec Block Processing Cycle (BPC).

MAXIMUM DISTANCE (FBM218 TO DEVICE)

Meets HART FSK physical layer specification HCF_SPEC-54, Revision 8.1 [up to 3030 m (10000 ft)]⁽¹⁾

CURRENT OUTPUTS

Analog Accuracy (Includes Linearity)

±0.05% of span (between 4 mA and 20 mA)

Output Load

750 Ω maximum

Maximum Rate of Change

20 mA in 60 milliseconds

Resolution

13 bits

LOOP POWER SUPPLY PROTECTION

Each channel is channel-to-channel galvanically isolated, current limited, and voltage regulated. All outputs are limited by their design to about 25 mA. If the output FET shorts, the output current could increase up to 100 mA. In normal operation the FBM outputs a constant current into a 0 to 750 ohm load.

ISOLATION

The channels are galvanically isolated (both optical and transformer isolation) from each other, and from ground and module logic. The module withstands, without damage, a potential of 600 V ac applied for one minute between the isolated channels and earth (ground).

CAUTION

This does not imply that these channels are intended for permanent connection to voltages of these levels. Exceeding the limits for input voltages, as stated elsewhere in this specification, violates electrical safety codes and may expose users to electric shock.

Fieldbus Communication

Communicates with its associated FCM or FCP via the redundant 2 Mbps HDLC fieldbus

Power Requirements

INPUT VOLTAGE RANGE (REDUNDANT)

24 V dc ±5%

CONSUMPTION

7 W (maximum)

HEAT DISSIPATION

5 W (maximum)

Calibration

Calibration of the module and termination assembly is not required.

(1) The maximum allowable distance decreases when the loop is operated through an intrinsic safety barrier. The maximum distance of the field device from the FBM is a function of compliance voltage (19 V dc at 20.4 mA), wire and load resistance, and voltage drop at the field device.

FUNCTIONAL SPECIFICATIONS (CONTINUED)

Regulatory Compliance

ELECTROMAGNETIC COMPATIBILITY (EMC)

European EMC Directive 89/336/EEC

Meets: EN 50081-2 Emission standard

EN 50082-2 Immunity standard

EN 61326 Annex A (Industrial

Levels)

CISPR 11, Industrial Scientific and Medical (ISM) Radio-frequency Equipment -

Electromagnetic Disturbance Characteristics

- Limits and Methods of Measurement

Meets Class A Limits

IEC 61000-4-2 ESD Immunity

Contact 4 kV, air 8 kV

IEC 61000-4-3 Radiated Field Immunity

10 V/m at 80 to 1000 MHz

IEC 61000-4-4 Electrical Fast

Transient/Burst Immunity

2 kV on I/O, dc power and communication lines

IEC 61000-4-5 Surge Immunity

2kV on ac and dc power lines; 1kV on I/O and communications lines

IEC 61000-4-6 Immunity to Conducted Disturbances Induced by Radio frequency Fields

10 V (rms) at 150 kHz to 80 MHz on I/O, dc power and communication lines

IEC 61000-4-8 Power Frequency Magnetic Field Immunity

30 A/m at 50 and 60 Hz

PRODUCT SAFETY

Underwriters Laboratories (UL) for U.S. and Canada

UL/UL-C listed as suitable for use in

UL/UL-C listed Class I, Groups A-D;

Division 2; temperature code T4 enclosure

based systems. These modules are also UL

and UL-C listed as associated apparatus for

supplying non-incendive communication

circuits for Class I, Groups A-D hazardous

locations when connected to specified

I/A Series® processor modules as described

in the *I/A Series DIN Rail Mounted*

Subsystem User's Guide (B0400FA).

Communications circuits also meet the requirements for Class 2 as defined in

Article 725 of the National Electrical Code

(NFPA No.70) and Section 16 of the

Canadian Electrical Code (CSA C22.1).

Conditions for use are as specified in the

I/A Series DIN Rail Mounted Subsystem

User's Guide (B0400FA).

European Low Voltage Directive 73/23/EEC

and Explosive Atmospheres (ATEX) directive

94/9/EC

CENELEC (DEMKO) certified as EEx nA IIC

T4 for use in CENELEC certified Zone 2

enclosure certified as associated apparatus

for supplying non-incendive field circuits for

Zone 2, Group IIC, potentially explosive

atmospheres when connected to specified

I/A Series processor modules as described

in the *I/A Series DIN Rail Mounted*

Subsystem User's Guide (B0400FA). Also,

see Table 1 on page 9.

ENVIRONMENTAL SPECIFICATIONS⁽²⁾

Operating

TEMPERATURE

Module

-20 to +70°C (-4 to +158°F)

Termination Assembly

PVC

-20 to +50°C (-4 to +122°F)

RELATIVE HUMIDITY

5 to 95% (noncondensing)

ALTITUDE

-300 to +3,000 m (-1,000 to +10,000 ft)

Storage

TEMPERATURE

-40 to +70°C (-40 to +158°F)

RELATIVE HUMIDITY

5 to 95% (noncondensing)

ALTITUDE

-300 to +12,000 m (-1,000 to +40,000 ft)

Contamination

Suitable for use in Class G3 (Harsh) environments as defined in ISA Standard S71.04, based on exposure testing according to EIA Standard 364-65, Class III.

Vibration

7.5 m/S² (0.75 g) from 5 to 500 Hz

(2) The environmental limits of this module may be enhanced by the type of enclosure containing the module. Refer to the applicable Product Specification Sheet (PSS) which describes the specific type of enclosure that is to be used.

PHYSICAL SPECIFICATIONS

Mounting

MODULE

The FBM218 mounts on a baseplate. The baseplate can be mounted on a DIN rail (horizontally or vertically), or horizontally on a 19-inch rack using a mounting kit. Refer to PSS 21H-2W6 B4 for details.

TERMINATION ASSEMBLY

The TA mounts on a DIN rail and accommodates multiple DIN rail styles including 32 mm (1.26 in) and 35 mm 1.38 in).

Mass

MODULE

284 g (10 oz) approximate

TERMINATION ASSEMBLY

Compression

181 g (0.40 lb) approximate

Ring Lug

249 g (0.55 lb) approximate

Dimensions – Module

HEIGHT

102 mm (4 in)

114 mm (4.5 in) including mounting lugs

WIDTH

45 mm (1.75 in)

DEPTH

104 mm (4.11 in)

Part Numbers

FBM218 MODULE

P0922VW

TERMINATION ASSEMBLIES

See “FUNCTIONAL SPECIFICATIONS – TERMINATION ASSEMBLIES” on page 8

REDUNDANT ADAPTER

P0916QD

Termination Cables

CABLE LENGTHS

Up to 30 m (98 ft)

CABLE MATERIALS

Polyurethane or Low Smoke Zero Halogen (LSZH)

TERMINATION CABLE TYPE

Type 1 – See Table 2 on page 10

CABLE CONNECTION – TA

25-pin male D-subminiature

Construction – Termination Assembly

MATERIAL

Polyvinyl Chloride (PVC), compression PVC, ring lug

FAMILY GROUP COLOR

Green – communication

TERMINAL BLOCKS

Outputs

3 tiers, 8 positions

Field Termination Connections

COMPRESSION-TYPE ACCEPTED WIRING SIZES

Solid/Stranded/AWG

0.2 to 4 mm²/0.2 to 2.5 mm²/24 to 12 AWG

Stranded with Ferrules

0.2 to 2.5 mm² with or without plastic collar

RING-LUG TYPE ACCEPTED WIRING SIZES

#6 size connectors (0.375 in (9.5 mm))

0.5 to 4 mm²/22 AWG to 12 AWG

TERMINATION ASSEMBLIES AND CABLES

Field output signals connect to the FBM subsystem via DIN rail mounted Termination Assemblies, which are **electrically passive**. TAs for the FBM218 are available in the following forms:

- ▶ Compression screw type using Polyvinyl Chloride (PVC) or Polyamide material
- ▶ Ring lug type using PVC material

See the following “FUNCTIONAL SPECIFICATIONS – TERMINATION ASSEMBLIES” for a list of TAs used with the FBM218.

The FBM218 provides sufficient loop resistance to allow use of the HART Hand-Held Terminal, or PC20 Intelligent Field Device Configurator (PSS 2A-1Z3 E).

A removable termination cable connects the DIN rail mounted TA to the FBM via a field connector on the baseplate in which the FBM is installed. Termination cables are available in the following materials:

- ▶ Polyurethane
- ▶ Low Smoke Zero Halogen (LSZH).

Termination cables are available in a variety of lengths, up to 30 meters (98 feet), allowing the Termination Assembly to be mounted in either the enclosure or in an adjacent enclosure. See Table 2. for a list of termination cables used with the TAs for the FBM218.

FUNCTIONAL SPECIFICATIONS – TERMINATION ASSEMBLIES

FBM Type	Output Signal	TA Part Number	TA Part Number	Termination	TA Cable	TA Certification
		PVC ^(a)	PA ^(a)	Type ^(b)	Type ^(c)	Type ^(d)
FBM218	8 output channels, 4 to 20 mA analog signal, alone or with HART signal superimposed	P0917XV P0926EK	P0926SP	C RL	1	1, 2

(a) PVC is polyvinyl chloride rated from -20 to +50°C (-4 to +122°F). PA is polyamide rated from -20 to +70°C (-4 to +158°F).

(b) C = TA with compression terminals; RL = TA with ring lug terminals.

(c) See Table 2 for cable part numbers and specifications.

(d) See Table 1 for Termination Assembly certification definitions.

Table 1. Certification for Termination Assemblies

Type	Certification ^(a)
Type 1	TAs are UL/UL-C listed as suitable for use in Class I; Groups A-D; Division 2 temperature code T4 hazardous locations. They are CENELEC (DEMKO) certified EEx nA IIC T4 for use in Zone 2 potentially explosive atmospheres.
Type 2	TAs are UL/UL-C listed as associated apparatus for supplying non-incendive field circuits Class I; Groups A-D; Division 2 hazardous locations when connected to specified DIN rail mounted FBMs and field circuits meeting entity parameter constraints specified in <i>DIN Rail Mounted Subsystem User's Guide</i> (B0400FA). They are also CENELEC (DEMKO) certified as associated apparatus for supplying field circuits for Group IIC, Zone 2 potentially explosive atmospheres. Field circuits are also Class 2 limited energy (60 V dc, 30 V ac, 100 VA or less) if customer-supplied equipment meets Class 2 limits.

(a) All TAs are UL/UL-C listed to comply with applicable ordinary location safety standards for fire and shock hazards. Hazardous location types comply with ATEX directive for II 3 G use. They also comply with the requirements of the European Low Voltage Directive. All listings/certifications require installation and use within the constraints specified in *DIN Rail Mounted Subsystem User's Guide* (B0400FA) and the conditions stated in UL and DEMKO reports.

Table 2. Cables Types and Part Numbers

Cable Length m (ft)	Type 1 P/PVC ^(a)	Type 1 LSZH ^(b)	Type 1 H/XLPE ^(c)
0.5 (1.6)	P0916DA	P0928AA	P0916VA
1.0 (3.2)	P0916DB	P0928AB	P0916VB
2.0 (6.6)	P0931RM	P0928AC	P0931RR
3.0 (9.8)	P0916DC	P0928AD	P0916VC
5.0 (16.4)	P0916DD	P0928AE	P0916VD
10.0 (32.8)	P0916DE	P0928AF	P0916VE
15.0 (49.2)	P0916DF	P0928AG	P0916VF
20.0 (65.6)	P0916DG	P0928AH	P0916VG
25.0 (82.0)	P0916DH	P0928AJ	P0916VH
30.0 (98.4)	P0916DJ	P0928AK	P0916VJ

(a) P/PVC is polyurethane outer jacket and semi-rigid PVC primary conductor insulation.
Temperature range: -20 to +80°C (-4 to +176°F).

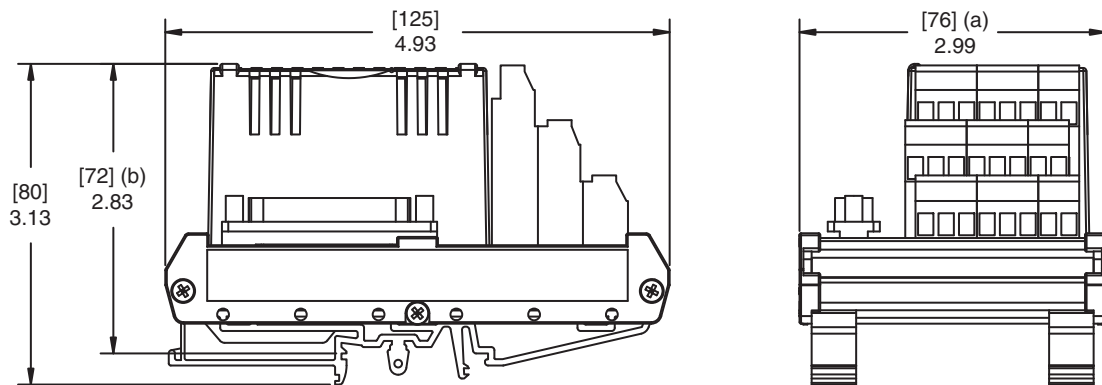
(b) Low smoke zero halogen or low smoke free of halogen (LSZH) is a material classification used for cable jacketing. LSZH is composed of thermoplastic or thermoset compounds that emit limited smoke and no halogen when exposed to high sources of heat. Temperature range: -40 to +105°C (-40 to +221°F).

(c) H/XLPE is Hypalon outer jacket and XLPE (cross-linked polyethylene) primary conductor insulation.
Temperature range: -40 to +90°C (-40 to +194°F). Hypalon cables are no longer available for purchase.

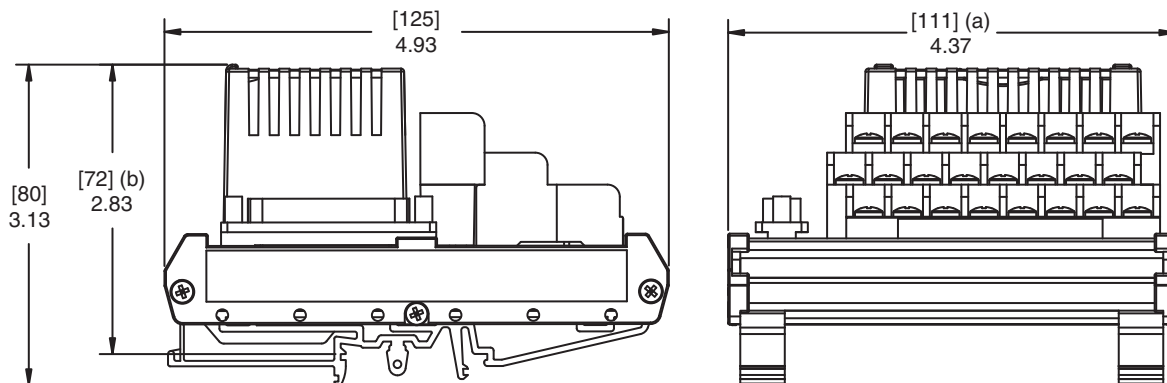
DIMENSIONS – NOMINAL

[mm]
in

Compression Termination Assembly



Ring Lug Termination Assembly



- (a) Overall width – for determining DIN rail loading.
- (b) Height above DIN rail (add to DIN rail height for total).

RELATED PRODUCT SPECIFICATION SHEETS

PSS Number	Description
PSS 21H-2W1 B3	DIN Rail Mounted FBM Subsystem Overview
PSS 21H-2W2 B3	DIN Rail Mounted FBM Equipment, Agency Certifications
PSS 21H-2W6 B4	DIN Rail Mounted Modular Baseplates

Invensys
10900 Equity Drive
Houston, TX 77041
United States of America
<http://www.invensys.com>

Global Customer Support
Inside U.S.: 1-866-746-6477
Outside U.S.: 1-508-549-2424 or contact
your local Invensys representative.
Website: <http://support.ips.invensys.com>

Invensys, Foxboro, I/A Series, InFusion, and the Invensys logo are trademarks of Invensys plc, its subsidiaries, and affiliates.
All other brands and product names may be the trademarks of their respective owners.

Copyright 1999–2013 Invensys Systems, Inc. All rights reserved. Unauthorized duplication or distribution is strictly prohibited.